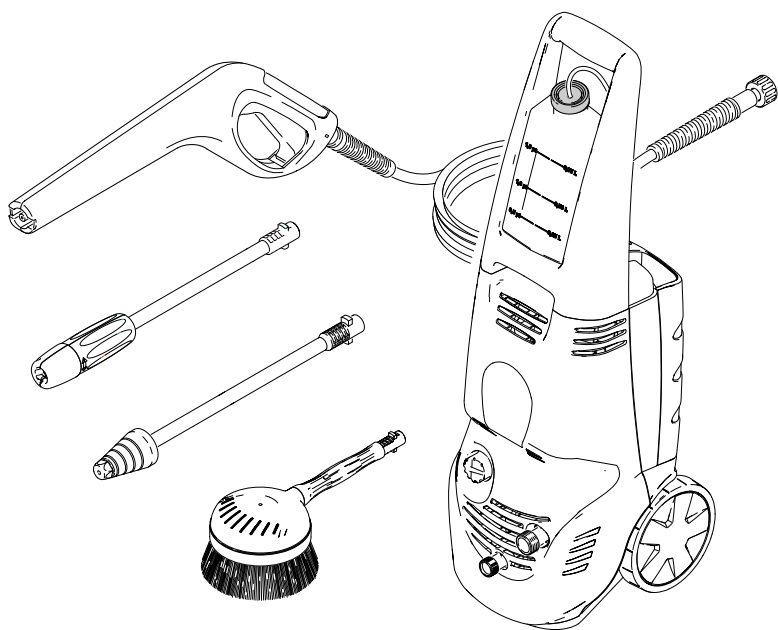


POWER CRAFT

OPERATING INSTRUCTIONS



CAUTION: Do not use the appliance without having read the instructions for use

We are pleased that you have decided to purchase this high-pressure cleaner.

This high-pressure cleaner is ideally suited to the cleaning of vehicles, facades, terraces, garden implements, tools. It is not constructed for industrial use.

Please read these operating instructions before putting your unit into use for the first time and give particular attention to the safety notes!

The warning and information signs affixed to the unit are important indications for its use free from danger.

Apart from the notes provided in the operating instructions you must also take into consideration legal regulations for safe practice and the prevention of accidents.



This symbol identifies all instructions which are important for your safety. Always obey these instructions otherwise injuries may result!

Unpack the cleaner

Check the kit supplied!

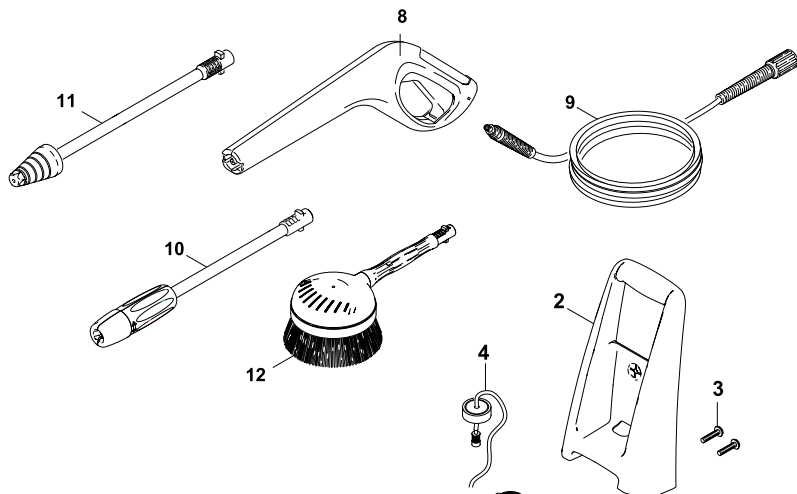
If parts are missing or you ascertain any damage please contact us immediately by means of the service telephone (at the latest 1 week after the date of purchase).

Please arrange for the proper disposal of the packaging



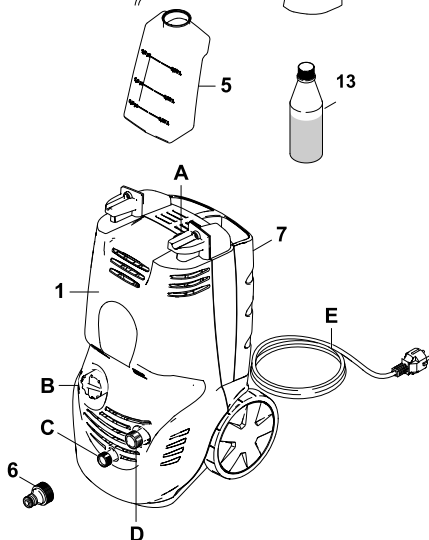
The packaging material can be recycled.

Please do not place the packaging into the ordinary refuse for disposal, but arrange for the proper recycling.



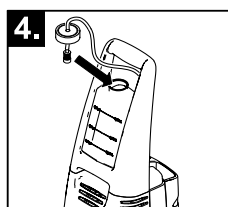
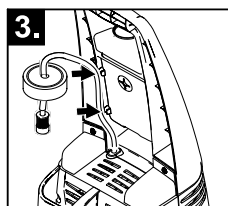
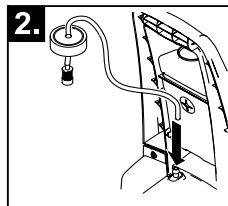
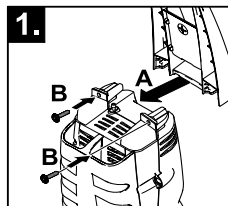
Packing list/Controls

- 1 High-pressure cleaner
 - A - Connection nipple for detergent suction tube with filter
 - B - Unit switch (ON/OFF)
 - C - High-pressure outlet
 - D - Inlet water connection with filter
 - E - Mains cable
- 2 Handle
- 3 Screws (2x)
- 4 Detergent suction hose with detergent filter and cover
- 5 Detergent tank
- 6 Quick-fitting coupling
- 7 Accessory compartment
- 8 Handgun
- 9 High-pressure hose
- 10 Spray lance with vario power nozzle
- 11 Spray lance with rotary nozzle
- 12 Rotary washing brush
- 13 Universal detergent (0.5 l concentrate)



Attaching the Transport Handle and Detergent Tank

- 1** A) Slide the transport handle on to the casing.
B) Fasten the transport handle using the two screws provided for the purpose.
- 2** Insert the detergent suction hose with the filter on the connection nipple.
- 3** Also fasten the detergent suction hose in the two guides of the transport handle.
- 4** Insert the detergent suction hose with the filter in the detergent tank and close it with a lid.



Electrical Connection

- △ *Never use defect connection or extension cables! If the connection cable is damaged, it must be replaced with a special connection cable that is available from the manufacturer or his customer service.*
- △ *Please make sure that the connection or extension cables are not damaged by being ran over, pulled or dragged. Protect the connection cables from heat, oil, and sharp edges.*
- △ *Never touch the mains plug and the socket with wet hands.*
- △ *The connection between connection cable and extension cable must not lie in the water.*
- △ *All current-carrying components within the working area must be jet-proof.*
- *The appliance may only be connected to an electrical connection that was performed by an electrician according to IEC 60364.*
- *Only connect the appliance to alternating current. The voltage must comply with the voltage specified on the rating plate.*
- *Minimum fuse protection of the socket 10 A (delay-action fuse).*
- *To avoid electric accidents, we recommend to use sockets with a series connected residual current operated device (rated breaking current max. 30 mA).*
- **Warning:** *Inappropriate extension cables may be dangerous. If you work outside, only use extension lines that are approved and specifically labelled and provide of a sufficient conductor cross section:*

1 to 10 m: 1.5 mm²

10 to 30 m: 2.5 mm²

- *The plug and the coupling of an extension cable must be waterproof.*
- *Always unwind the extension cable completely from the cable drum.*

Water connection

Please conform with the regulations of the water supply company.

The water supply may not exceed 10 litres/minute; the water may have a maximum temperature of 40 °C and a maximum pressure of 12 bar.

Note: *The unit must be connected to the drinking water supply mains via a non-return valve.*

Water hose (not in supply kit):

Use a fabric-reinforced hose with a commercially available quick-fitting coupling. The hose should have an internal diameter of at least 1/2" 13 mm) and a length of at least 7,5 m.

Attention: *Dirt in the water supply can damage the unit. We recommend the use of a water filter, 3/4" fitting, to avoid this.*

Safety Instructions

- △ *The operation of the device in hazardous locations is not admissible.*
- △ *Please comply with the corresponding safety instructions if you use the appliance in danger areas (e.g. filling stations).*
- △ *Do not turn on the appliance if the power supply cable or important components of the appliance, such as safety components, high-pressure hoses, spray jet, are damaged.*
- △ **Warning:** *High-pressure hoses, fittings, and couplings are of importance for the appliance safety. Only use high-pressure hoses, fittings, and couplings recommended by the manufacturer.*
- △ *The appliance must not be operated by children or non instructed persons.*
- △ *The operator must use the appliance properly. He must take the local conditions into consideration and must pay attention to third persons, in particular children, while working with the appliance.*
- △ **Warning:** *Do not use the appliance if third persons are within the reach of the appliance unless such persons wear protective clothes.*
- △ **Warning:** *High-pressure jets may be dangerous if they are used improperly. The jet must not be directed at people, animals, active electrical equipment, or the appliance itself.*
- △ *Never direct the jet at yourself or third persons to clean clothes or shoes.*
- △ *Never use the appliance to spray objects containing hazardous substances (e.g. asbestos).*
- △ **Warning:** *Vehicle tyres/tyre valves may be damaged and burst by the high-pressure jet. A first sign is the discoloration of the tyre. Damaged vehicle tyres/tyre valves are hazardous. Always perform the cleaning with a minimum distance of 30 cm.*
- △ *Cleaning operations during which oil saturated waste water is generated, such as engine cleaning and underbody cleaning, may only be performed in cleaning locations that are equipped with an oil separator.*
- △ *If you clean varnished surfaces, please respect a minimum distance of 30 cm to avoid damages.*
- △ *Never take in solvent-containing liquids or undiluted acids and solvents! These include, for example, benzene, paint thinner, or heating oil. The spray is highly inflammable, explosive, and toxic. Do not use acetone, undiluted acids, and solvents as they affect the materials used on the appliance.*
- △ *If required, wear appropriate protective clothes and glasses to protect yourself from return spray.*
- △ *Never leave the appliance unattended as long as it turned on.*
- △ **Warning:** *This appliance has been developed for the use of detergents that are supplied or recommended by the manufacturer. The use of other detergents or chemicals may affect the safety of the appliance.*

Safety Devices

Safety devices are intended to ensure the protection from injuries and must not be modified or circumvented.

Unit switch

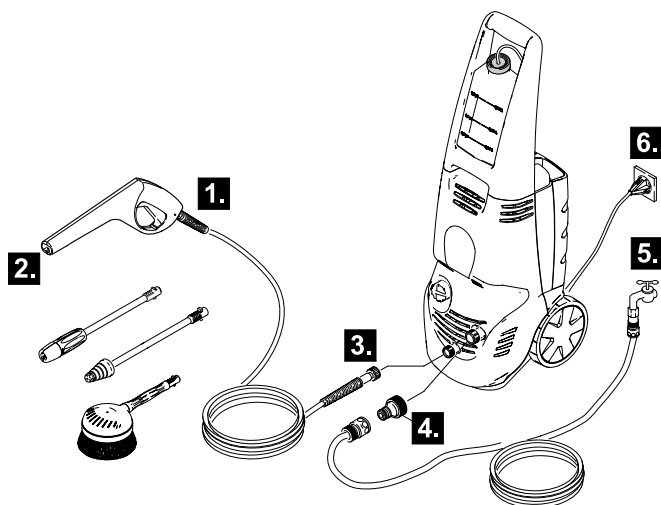
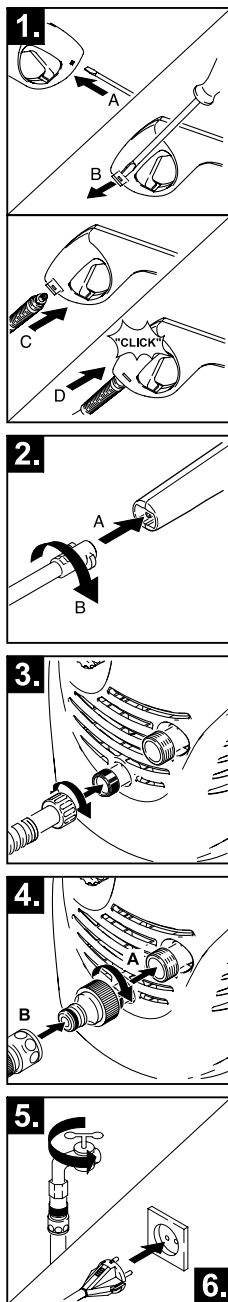
The switch prevents unintended starting of the appliance. Stop the appliance during breaks or after operation.

Safety Button

The safety button located on the trigger gun ensures that the appliance is not switched on inadvertently.

Initial Operation

- 1** **A)** First squeeze out the clip using a sharp object or similar.
B) Then you can pull out the clip.
- 2** **C)** Put the high-pressure hose into the handgun up to the stop. Press the clip back into the handgun.
D) Use it to secure the high-pressure hose.
- 3** **A)** Insert a spray lance (or the washing brush) into the bayonet connection of the handgun.
B) Turn it by 90 ° (B) until it locks into place.
- 3** **A)** Screw the quick-fitting coupling onto the water connection of the unit.
B) Press the quick-fitting coupling of your water hose onto the coupling of the water connection. The coupling must engage.
- 4** Connect the high-pressure hose to the high-pressure outlet.
⚠ *The high-pressure hose must not be damaged (danger of bursting). A damaged high-pressure hose must be replaced immediately. Please call our service hotline in this case.*
- 5** Connect your water hose to the water mains supply. Open the water tap completely.
- ⚠** **Caution!** *If the high-pressure cleaner is operated with a closed water supply line, the cylinder head unit will be damaged. Never operate the high-pressure cleaner with a closed water tap.*
- 6** Insert the power plug into the plug socket.



Operating with high pressure

Spray lance with pressure control

You can adjust the working pressure progressively by turning the end of the spray lance (+ / -).

Spray lance with rotary nozzle

For obstinate accumulation of grime: a pencil jet rotating at high speed creates a high impact pressure and thus achieves a good cleaning result.

1 Attach a spray lance to the handgun.

2 Switch on the appliance.

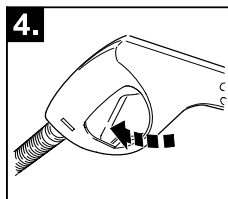
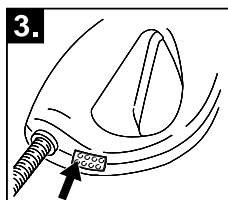
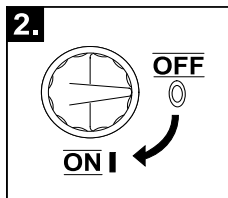
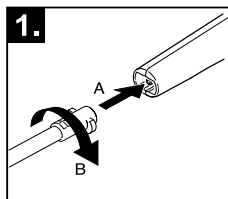
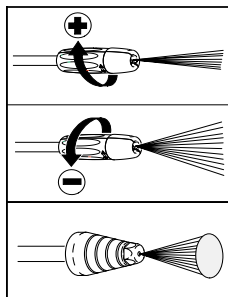
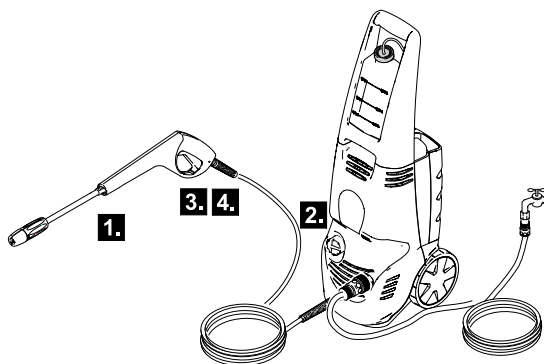
Note: The unit is equipped with a pressure switch. The motor only starts running when the lever of the handgun is pressed.

⚠ Owing to the water jet emerging from the high-pressure nozzle a recoil force acts on the handgun. Therefore hold the handgun and spray lance firmly.

3 Prepare the lever of the handgun for use by releasing the safety latch

4 Draw in the lever of the handgun.

Note: The lever of the handgun must not be clamped in place when in use.



⚠ Never direct the water jet towards human beings, animals, at the unit or at electrical parts.

⚠ Vehicle tyres and tyre valves may only be cleaned at a minimum distance of 30 cm, otherwise the vehicle tyres or tyre valves can be damaged by the high-pressure jet. First signs of this are a discoloration of the tyre. Damaged vehicle tyres or tyre valves are highly dangerous.

⚠ Asbestos-containing materials and others which contain health-endangering substances may not be washed down.

⚠ It may be necessary to wear protective clothing for protection against return spray.

Operation with washing brush

The washing brush is ideally suited for the cleaning of vehicles.

Note: Please make sure that the washing brush is free from dirt or other particles. Otherwise, it may cause defects in the paint work. Please make also sure that the water flow is ensured.

Also a dry operation of the brush can result in damages to the paint work.

1. Attach the washing brush to the handgun.

Operation with detergent

Note: Operating the appliance with detergents is possible only while using the rotating washing brush or the spray lance with pressure control. The following section describes the procedure to operate the appliance with detergents and the spray lance.

1 Attach the spray lance with pressure control on the handgun, and set the spray tube to low pressure („-“ direction).

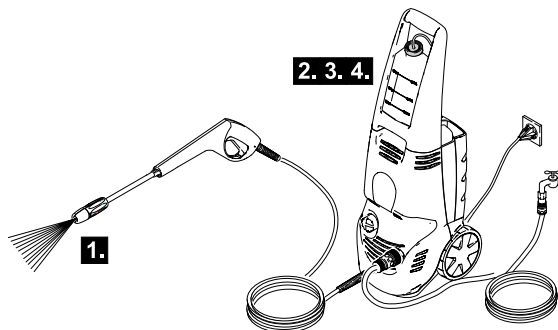
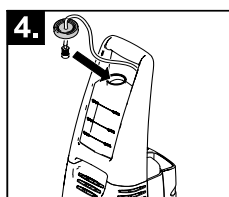
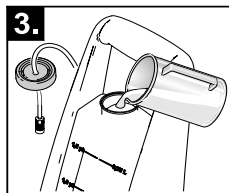
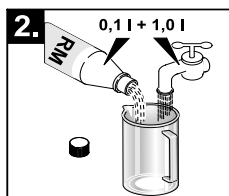
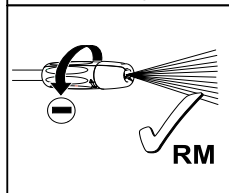
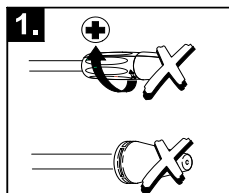
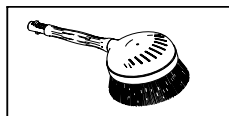
Important: In the high pressure operation setting (pressure control to „+“) and with the rotary nozzle detergent will not conveyed.

2 Mix 0.1 litres of universal cleaner concentrate with 1 litre of tap water.

3 Pour this detergent solution into the detergent tank.

4 Insert the detergent suction hose into the detergent tank.

5 See “Operation with high pressure”, items **2** and **3**.



Cleaning method

1. Step: Loosening the dirt

Spray the detergent on the dry surface and allow it to react, but not to dry.

For the vehicle cleaning: Use the washing brush in addition.

2. Step: Removing the dirt

Spray off the loosened dirt with the high-pressure jet.

Interrupting the cleaning operation

For longer breaks in work (more than 5 minutes) switch off the unit.

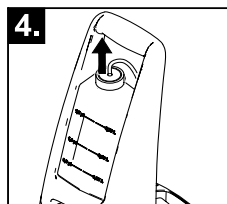
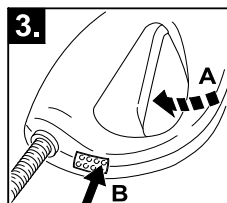
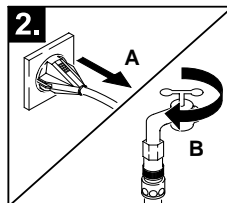
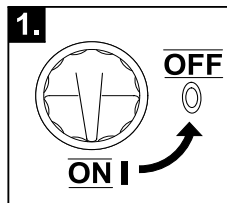
⚠ The unit must never be left unattended when the motor is running.

Finishing work

- 1 Switch off the unit.
- 2 A) Draw the power plug out of the power socket.
B) Close off the water supply.
- 3 A) Press the lever of the handgun until the unit is free of pressure.
B) Secure the lever against inadvertent opening by using the safety latch.
Disconnect the appliance from the water connection.

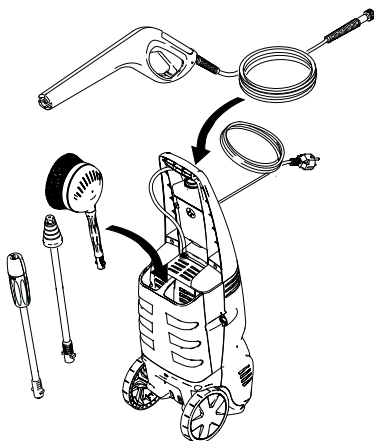
Please observe the following if the detergent tank is full:

- 4 Please pull out the detergent suction hose with the detergent filter up to the cover once you have finished your work. This ensures that no detergent solution enters into the high-pressure pump through the detergent suction hose while the appliance is not in use.



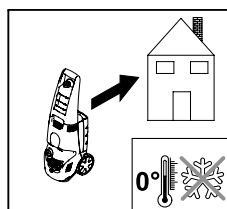
Storage

1. Hang the handgun, the spray tube with pressure control, the spray tube with the rotary nozzle, and the washing brush into the appropriate seats on the rear of the appliance.
2. You can hang the power cord and the high-pressure hose over the lateral rest.




Protection against frost

A unit which is not completely emptied of water can be destroyed by frost. During the winter it is best to store the unit in a frost-free room.



Care and Maintenance

 Switch off the unit and draw out the power plug before undertaking any cleaning or maintenance!

Cleaning

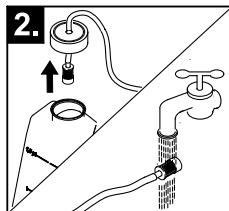
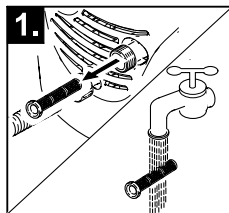
Prior to longer periods of storage, e.g. in the winter:

- 1** Clean the sieve in the water connection. Unscrew the coupling unit from the water connection. Remove the sieve using flat pliers.
- 2** Clean the detergent filter, and insert it again.

Maintenance

- The appliance is maintenance-free.
- Check the power cord and the high-pressure hose for damages in regular intervals.

If the power cord is damaged, please arrange immediately for the exchange by an authorized customer service or a skilled electrician. Please arrange for the immediate exchange of a damage high-pressure hose (risk of bursting).



Troubleshooting

In this section we should like to give you some advice on how you can clear minor malfunctions yourself.

⚠ *Switch off the unit and draw out the power plug before undertaking any cleaning or maintenance!*

⚠ *Any investigation of electrical components may only be carried out by the authorised customer service.*

When there are malfunctions, check the function with both spray lances.

Unit does not function

- Check the mains voltage.
- Check the power cord for damage.

No water comes out of the nozzle or too little

- Check the water supply flow.
- Check the water hose for leaks or obstruction.
- Clean the filter in the water connection (see "Care and Maintenance").
- Bleed the unit: let the unit run without high-pressure hose, until water emerges at the high-pressure outlet free of bubbles. Then connect the high-pressure hose again.

Water comes out in pulses /The appliance switches on and off.

- Clean the spray lance and vario power nozzle.
Remove clogging from nozzle hole with a needle and rinse again with water.
- Valves can become stuck if the unit has not been used for a long time.

Detergent is not taken in

- Set the spray lance with the pressure control to the minimum pressure („–“ direction).
- Check whether the detergent suction hose or the detergent filter are clogged.
- Check whether the detergent suction hose has been squeezed during the attachment of the transport handle (see page 4).

The unit leaks

- Check the O-ring on the high-pressure hose screw fitting.
Replace defective or crushed O-rings.
- A slight leakage of the pump (3 drops per minute) is normal. If the leakage is greater contact our service telephone.

Guarantee

CONDITIONS OF GUARANTEE

Warranty does not extend to defects arising from the product being used for purposes beyond normal household use, particularly when it goes beyond the purpose for which it was designed such as commercial, industrial or rental applications.

All warranty periods commence on the date of purchase and are not transferable.

This warranty does not extend to defects which result from misuse, neglect, accident, abuse, improper handling, freezing, normal wear and tear, use of improper chemicals or noncompliance with the operators instruction manual. The warranty will be invalidated if the product has been subject to unauthorised repair or modification.

This guarantee is only valid providing the above conditions are met and proof of purchase is provided.

Aldi Stores Limited shall not be liable in any event at any time for any indirect or consequential loss or damage. The rights and benefits under the warranty are additional to your statutory rights, which are not affected by this warranty.

09/2006

Machines and Accessories MUST be stored in a frost-free room.

FROST DAMAGE IS NOT COVERED BY THIS WARRANTY!

IN THE EVENT OF A BREAKDOWN

Firstly

If you think your machine is not working properly, please refer to the problem checklist on page 11 in this instruction manual.

Then

Providing the product has failed due to design or manufacturing fault within the warranty period of 36 months from date of purchase, you may return the product back to the store from where purchased complete with all components, the machines original packaging and proof of purchase for exchange or refund.

Alternatively please visit your nearest HSS Hire Shop or contact the HSS Service Hotline on:

HSS Warranty and Service: UK & Northern Ireland & Republic of Ireland

Phone: 0845 604 0134

All units supplied for repair under warranty must be complete with hose, gun and lance together with proof of purchase.

General Notes

Safety devices

When the handgun is closed the unit is switched off by a pressure switch. The integrated safety valve is the safety device providing protection against exceeding the permissible operating pressure.

Accessories and Replacement parts

You may only use accessories and replacement parts which have been approved by the manufacturer. Original accessories and replacement parts provide the assurance that the unit can be operated safely and free of malfunctions.

Please arrange for the proper disposal of the old appliance

Old appliances contain valuable materials that can be recycled. Please arrange for the proper recycling of old appliances. Batteries, oil, and similar substances must not enter the environment. Please dispose of your old appliances using appropriate collection systems.



Technical Data

Power supply

Voltage	240 V
Type of current	1~50 Hz
Connected load	2,1 kW
Supply fusing (time-lag)	13 A
Safety class	1, IPX 5

Water connection

Supply temperature (max.)	40 °C
Supply volume (min.)	(10 l/min)	600 l/h
Supply pressure	(12 bar)	1,2 MPa
Supply hose		
- length, min.	7.5 m
- diameter, min.	1/2 inch

Performance data

Pressure (max.)	(150 bar)	15 MPa
Working Pressure	(120 bar)	12 MPa
Flow volume	(450 l/h)	7,5 l/min
Cleaning agent suction	(0,3 l/min)	20 l/h
Recoil force of handgun at working pressure	16 N
Sound level,	LPA (EN60704-1)	74 dB(A)
Guaranteed sound power level, LWA(2000/14/EC)	87 dB(A)
Appliance vibrations	(ISO 5349)	2,14 m/s ²

Subject to modification



EU Declaration of Conformity

We hereby declare that the equipment described below conforms to the relevant fundamental safety and health requirements of the appropriate EU Directives, both in its basic design and construction as well as in the version marketed by us. This declaration will cease to be valid if any modifications are made to the machine without our express approval.

Product: High-pressure cleaner

Model: PowerCraft

Relevant EU Directives:

98/37/EEC

73/23/EEC (+93/68/EEC)

89/336/EEC (+91/263/EEC, 92/31/EEC, 93/68/EEC)

2000/14/EEC

Harmonised standards applied:

DIN EN 60 335 – 1

DIN EN 60 335 – 2 – 79

DIN EN 55 014 – 1 : 2000 + A1: 2001 + A2: 2002

DIN EN 55 014 – 2 : 1997 + A1: 2001

DIN EN 61 000 – 3 – 2 : 2000

DIN EN 61 000 – 3 – 3 : 1995 + A1: 2001

Conformity assessment procedure followed: Annex V

Measured sound power level: 86 dB(A)

Guaranteed sound power level: 87 dB(A)

Appropriate internal measures have been taken to ensure that series-production units conform at all times to the requirements of current EU Directives and relevant standards. The signatories are empowered to represent and act on behalf of the company management.

Cleanerworld GmbH
Am Schützenbaum 19
D-97953 Königheim



Erich Moritsch

09/05

||||| POWER CRAFT
